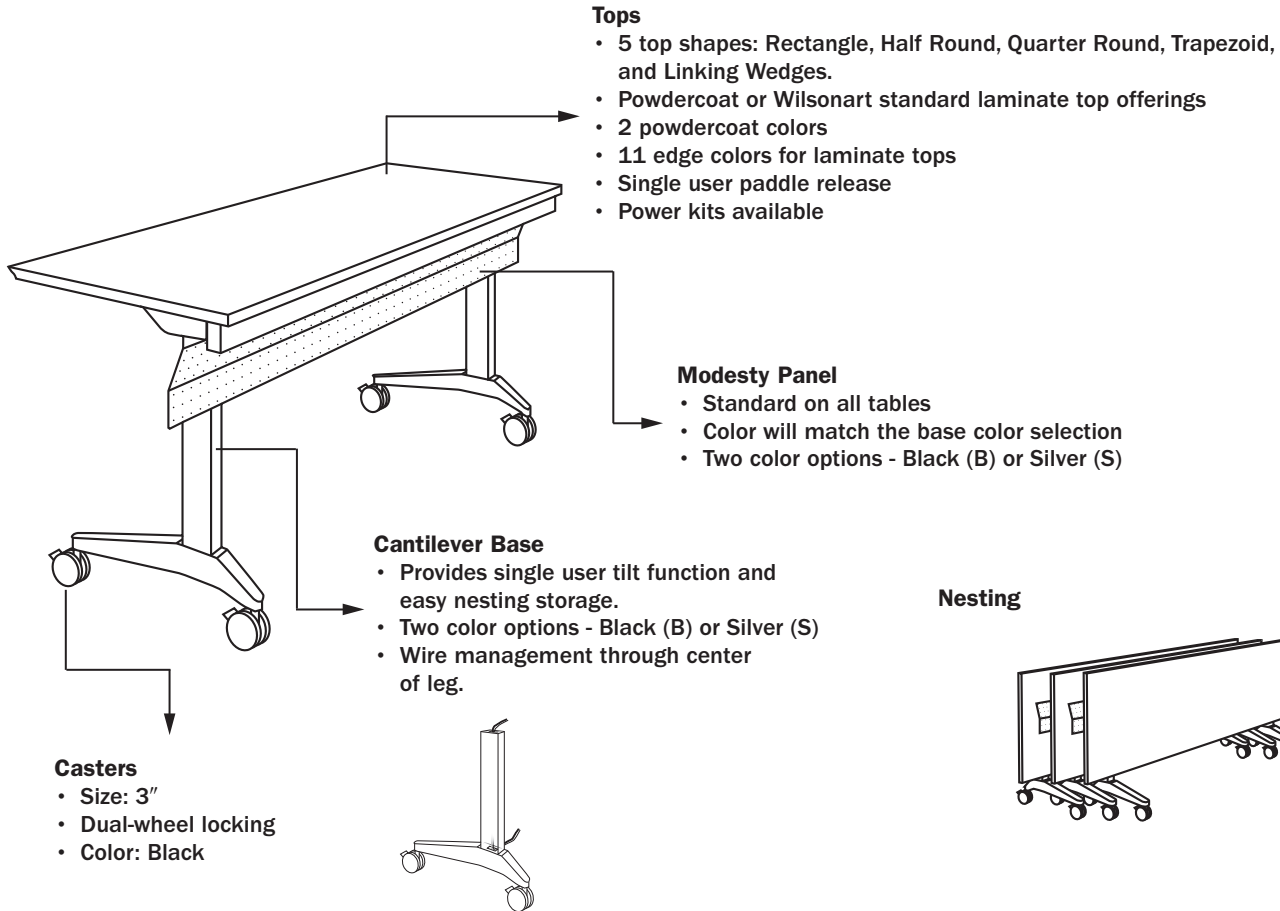


## Overview

Cruz brings adaptable mobility to learning environments with a functional offering of basic table and linking top shapes, plus a full range of training components.



### Top Construction Detail

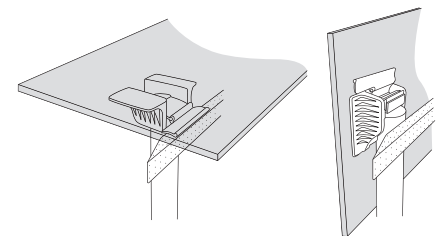
#### Powdercoat Construction

Powdercoat solid core tops are 1" thick with a core of 45 lb. medium density fiberboard (MDF) that has a seamless color finish on all sides.

#### Laminate Construction

Top construction is 1 1/8" thick particle board. The laminate face is .050 horizontal grade HPL. A backer is bonded to the bottom side to ensure balanced construction.

### Single user paddle release



# How to Specify Cruz Pre-Configured Training Tables

(Table configuration includes top, modesty panel, and tilt top bases with casters)

Follow these easy steps to create an adaptable, mobile learning environment.

## 1. The first step, initial requirements

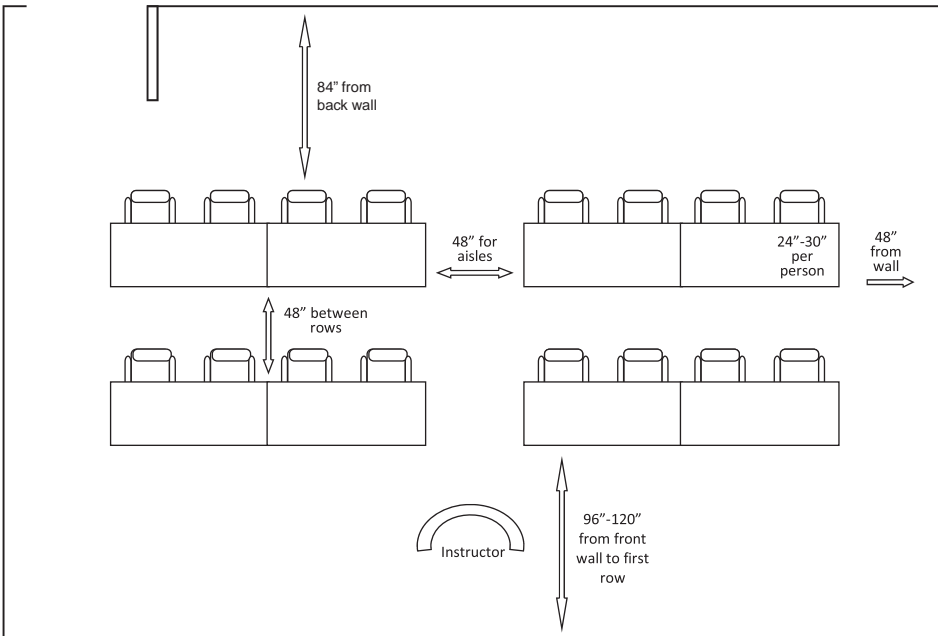
- A) Determine room configuration which will best fit your needs
- B) Determine seating capacity requirements

## 2. Determine the Top Shapes and Sizes, as well as the number of tops needed for the chosen table configuration.

(See page 4 for seating capacity options.)

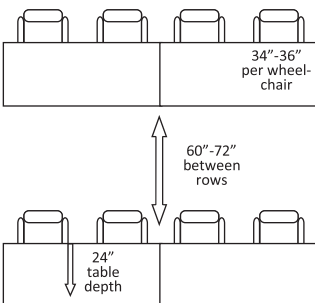
### A) Table Placement Guidelines

- 24"-30" per person
- 48" for aisles
- 48" from side walls
- 96"-120" for presenter between front wall and first row
- 48" between rows
- 84" from back wall



### B) ADA Guidelines

- 34" - 36" per wheelchair table space
- 24" minimum table depth
- 60" - 72" between rows for wheelchairs to be placed back-to-back
- 36" minimum for wheelchair single passage
- 60" minimum for wheelchair double passage
- 60" minimum diameter to turn wheelchair
- 29" height accommodates newer wheelchairs; however, some wheelchairs require 32" height.



**3. Select Base Color, Top Material and Edge Color**

**A) Base color**

- BL - Black
- SL - Silver

**B) Top material**

- LS - Laminate with standard edge (For standard laminate list, see page 9)
- LP - Laminate with premium edge
- PD - Powdercoat - offered in Backdrop (BD) and Greek Villa (GV)  
(Standard with reverse knife edge on user side and eased edge on approach)

**C) Edge colors for laminate tops**

<u>Standard colors</u>		<u>Premium colors</u>	
BL	Black	TT	Titanium
WH	White	AL	Aluminum
SH	Shadow		
ST	Slate		
PL	Platinum		
VC	Vintage Cherry		
AU	Autumn Cherry		
NC	Natural Cherry		
NM	Natural Maple		

**4. Training Table Options**

**A) Linking kits**

- All table tops are pre-bored with inserts for linking tops.

**B) Power kit options**

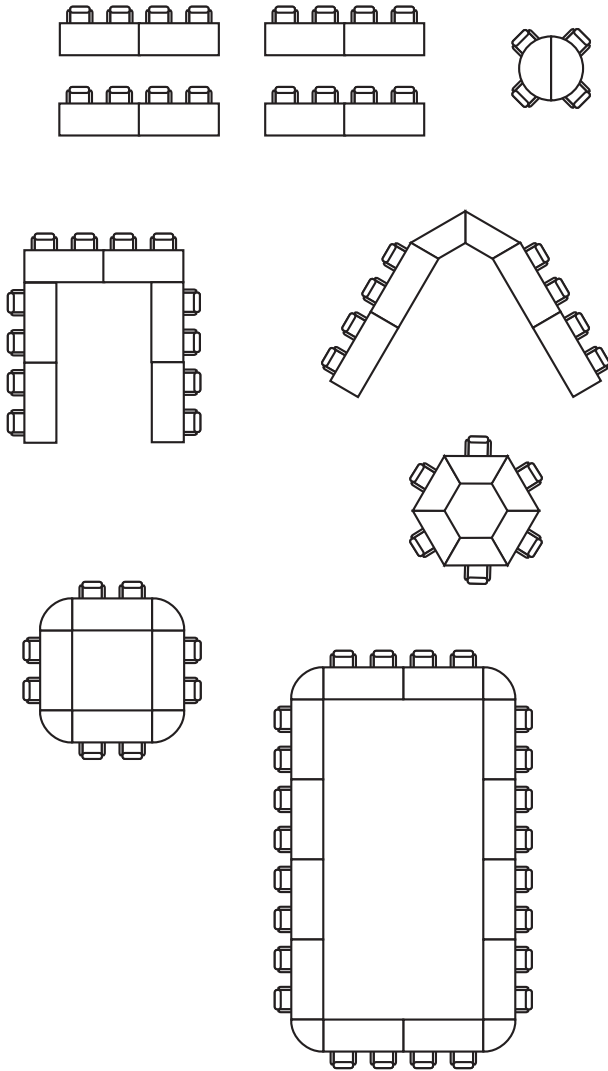
- Table size will determine your standard power and grommet location.
- Single or double circuit available
- Optional data ports
- Two color options: Black (B) or Silver (S)





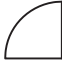

Community offers single or double circuit electrical units to meet classroom technology demands. See Power and Data pages 6-8. Please contact our customer service department for assistance at 800-622-5661.

## Seating Capacity Options

For other seating requirements, select different configurations that are compatible with classroom size and capacity.

### TYPICALS

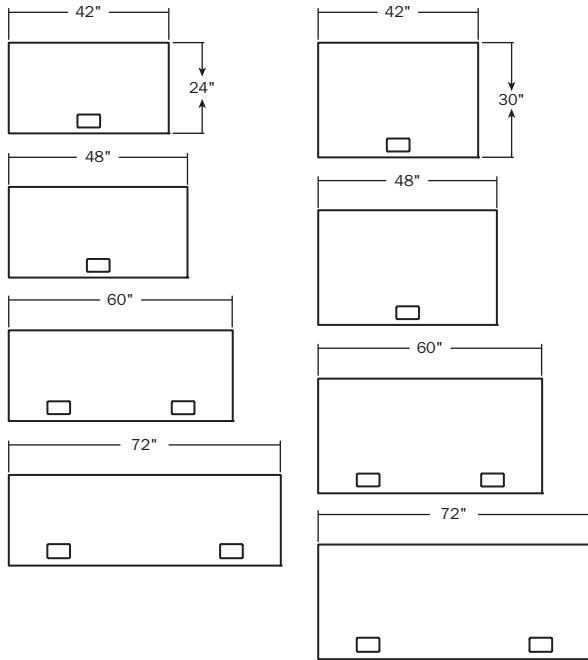


<b>Rectangular tilt table</b>		
	<b>CZ2442CTT</b>	24" x 42"
	<b>CZ2448CTT</b>	24" x 48"
	<b>CZ2460CTT</b>	24" x 60"
	<b>CZ2472CTT</b>	24" x 72"
	<b>CZ3042CTT</b>	30" x 42"
	<b>CZ3048CTT</b>	30" x 48"
	<b>CZ3060CTT</b>	30" x 60"
	<b>CZ3072CTT</b>	30" x 72"
<b>AV tilt table</b>		
	<b>CZ2448CAT</b>	24" x 48"
	<b>CZ3060CAT</b>	30" x 60"
<b>Trapezoid tilt table</b>		
	<b>CZ2448CZT</b>	24" x 48"
	<b>CZ2472CZT</b>	24" x 72"
	<b>CZ3060CZT</b>	30" x 60"
<b>Half Round table</b>		
	<b>CZ2448CHT</b>	24" x 48"
	<b>CZ3060CHT</b>	30" x 60"
<b>Quarter Round linking top</b>		
	<b>CZ24QT</b>	24" x 24"
	<b>CZ30QT</b>	30" x 30"
<b>Wedge linking top</b>		
	<b>CZ24-30WT</b>	24" - 30 degree
	<b>CZ24-45WT</b>	24" - 45 degree
	<b>CZ24-60WT</b>	24" - 60 degree
	<b>CZ24-90WT</b>	24" - 90 degree
	<b>CZ30-30WT</b>	30" - 30 degree
	<b>CZ30-45WT</b>	30" - 45 degree
	<b>CZ30-60WT</b>	30" - 60 degree
	<b>CZ30-90WT</b>	30" - 90 degree

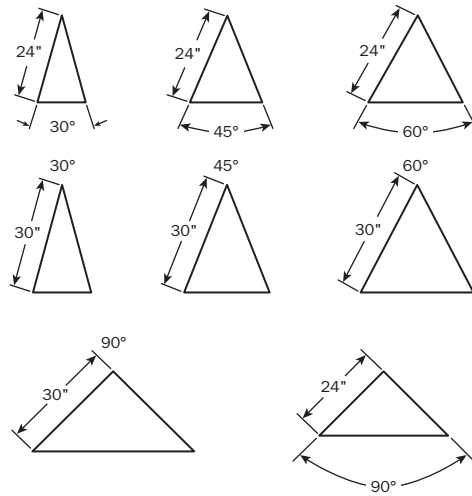
For additional assistance, please contact our customer service department at 800.457.4511 or visit our website [www.communityfurniture.com](http://www.communityfurniture.com)

**Top Shapes and Sizes with Corresponding Optional Grommet Locations**

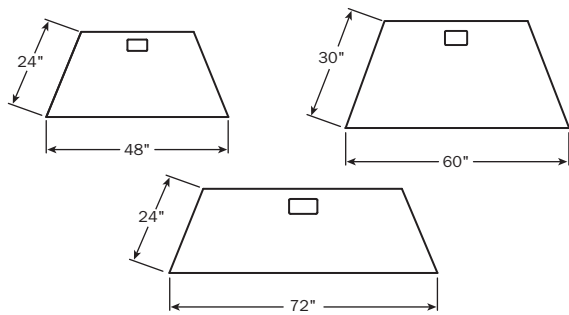
**Rectangle**



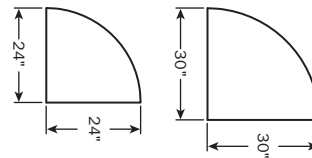
**Wedge Linking Tables**  
(includes linking kit)



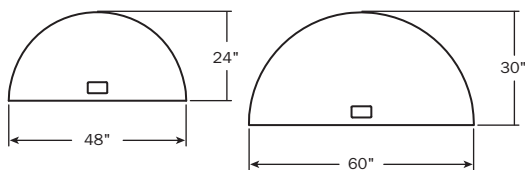
**Trapezoid**



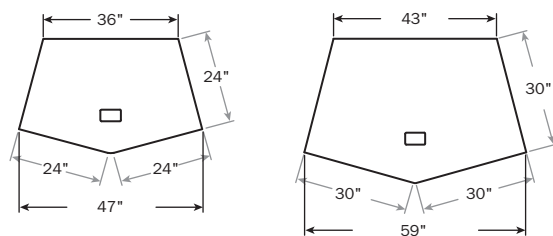
**Quarter Round Linking Tables**  
(includes linking kit)



**Half Round**



**AV**

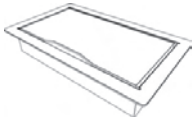


## Power Kits

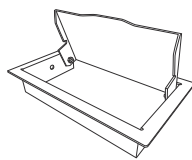


Full power and data packages with numerous interface options allow for Cruz tables to be rolled out, plugged in, and reconfigured.

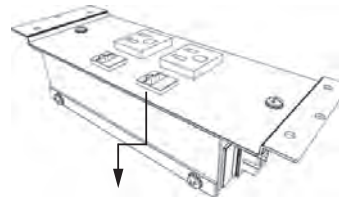
### Grommet



### Grommet



**Figure 1**

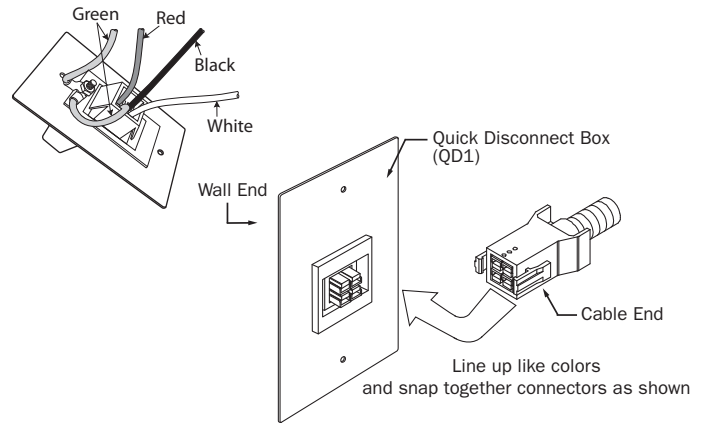


Optional data cutouts  
(DJ-45 see page 13)

Cruz's electrical package (EP) offers single and double circuit capability. Data ports for easy internet access and equipment charging are also available.


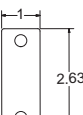
**Figure 2**

With optional quick disconnect wall outlet.



Cruz's power kit accommodates classroom or training room requirements with single or double circuit options, indicated by series of colored wires.

### Included in the power kit:

- Power box with grommet
  - One box for 40", 42" rectangle tops, trapezoid, half round and AV
  - Two boxes for the 60" & 72" rectangle tops.
- Cables
  - One power box kit - Two cables are included; one for each end of the power box
  - Two power box kits - Three cables are included; one for each end of the table and one to connect the two boxes
- Wire Cable Clamps - to secure your wires to the underside of the table top 
- Safety linking plate - screws the underside of the table top to secure the tables from being pulled apart accidentally and damaging electrical cables 

### Single and Double Circuit Guide

#### Single circuit

- For smaller rooms with limited electrical needs
- Each table's electrical components can be connected with cables and secured with safety linking brackets (linking brackets included, field installation required).
- Wedge and Quarter Rounds Linking Tables require jumper cables (EKJ-12) ordered separately, (U brackets included, field installation required).
- When connecting to building power; options include:
  - 1) Quick disconnect wall outlet
  - 2) 6' cable with standard 3-prong plug
  - 3) Hard wired into wall with cable extended from wall

#### Double circuit

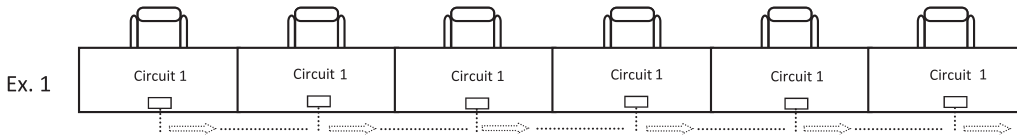
- For larger rooms with greater electrical needs
- Double circuit use requires a table grid with circuits assigned to alternating tables (see page 7)  
(Example: Table 1 = circuit 1, Table 2 = circuit 2, Table 3 = circuit 1)
- When connecting to building power; options include:
  - 1) Quick disconnect wall outlet
  - 2) 6' cable with standard 3-prong plug
  - 3) Hard wired into wall with cable extended from wall

## Single and Double Circuit\* Guide

- Each table's electrical components can be connected in the field with cables, and secured with safety linking brackets (linking brackets included, field installation required).
- Wedge and Quarter Round Linking Tables require jumper cables (EKJ-12) ordered separately, (U brackets included, field installation required).
- When connecting to building power; options include:
  - 1) Quick disconnect wall outlet\*
  - 2) 6' cable with standard 3-prong plug
  - 3) Hard wired into wall with cable extended from wall\*

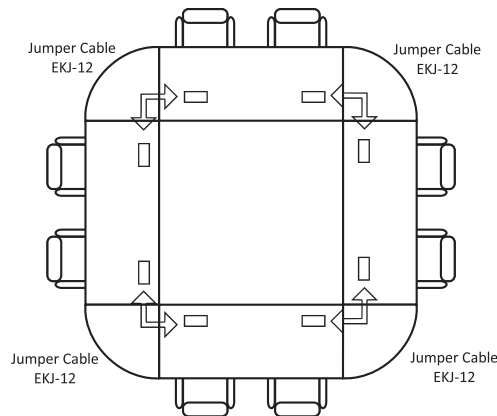
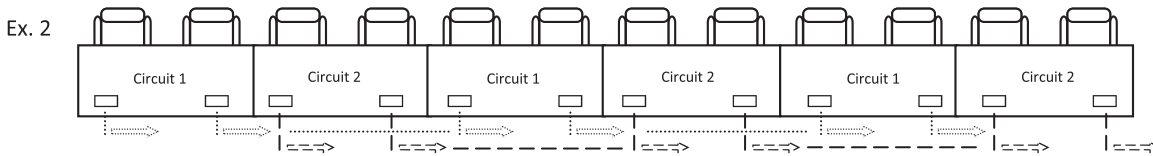
### Single Circuit

- Use allows maximum flexibility for smaller rooms with limited electrical needs
- Up to 6 electrical units can be linked on a single circuit grid



### Double Circuit

- Use for larger rooms with greater electrical needs
- Up to 12 power units can be linked on a double circuit grid
- Double circuit use requires a table grid with circuits assigned to alternating tables, as shown

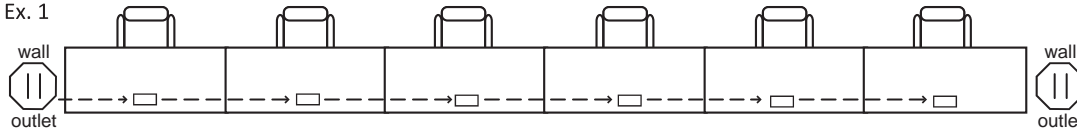


\*NOTE: Building power source must be wired to support double circuit configurations.

## Non-Directional and Non-Sequential Electrical System

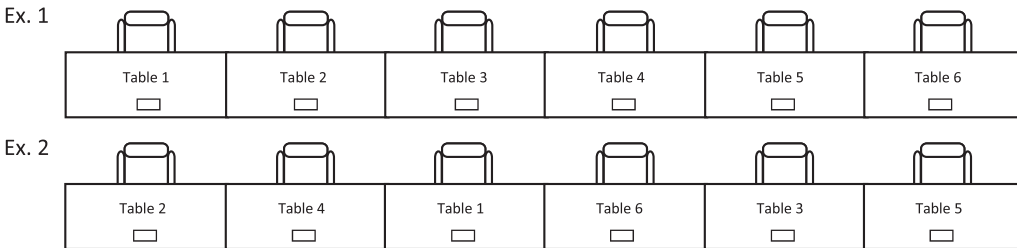
Cruz's non-directional, non-sequential electrical package allows virtually any configuration. In addition, table order is not limited by single or double circuit grids. Simply disconnect each table from the connecting table or wall outlet, change the configuration, and reconnect the tables to one another or to the wall. It's that simple!

### Non-Directional



- Wall power in-feed cables can be attached to either end of the table configuration

### Non-Sequential



- Table order isn't a concern with Cruz's electrical system

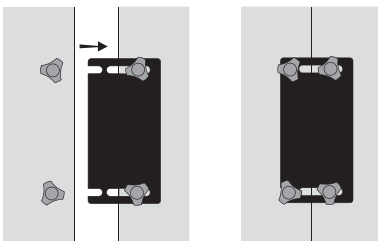
### Single and Double Circuit Options

- Quick disconnect wall outlet
- Hard wiring with cable extended from wall
- Building power source must be wired to support double circuit configurations

### Double Circuit

- The electrical system is a four wire system consisting of two individual circuits. Each circuit is rated at 20 amps/120 volts maximum.
- Circuit 1 (black), and Circuit 2 (red) are served by a system neutral (white) and an equipment ground (green). Check with local codes before connecting to building.

## Linking Kit



- Easy to install
- All table tops are prebored with inserts to accept field installed linking kit
- 4 black low profile knobs (2 for each table) with quick release flat plate
- 11" gauge steel
- Standard on Wedge and Quarter Round table tops

Wedge and Quarter Rounds linking tops are available in ten sizes. (See page 5.) All linking tables include linking kits.



# Wilsonart Standard Laminate Offering

For most up to date listing visit: [wilsonart.com](http://wilsonart.com)

PATTERN NAME	PATTERN NUMBER	PVC MATCH	PATTERN NAME	PATTERN NUMBER	PVC MATCH	PATTERN NAME	PATTERN NUMBER	PVC MATCH
Alabaster	D431-60		JSI Natural Cherry	XM044-07	X	Steel Mesh	4879-38	
Almond Leather	2932-60		Karratha Brush	4744-60		Sweet Corn	4916-60	
Amazon	D478-60		Kensington Maple	10776-60	X	Tan Soapstone	4887-38	
Antique Brush	4823-60		Khaki Brown	D50-60		Tangerine	4915-60	
Antique Glass	4903-38		Kiwi	4917-60		Tawney Legacy	4663-60	
Antique White	1572-60		Lapis Blue	D417-60		Titanium EV	4810-60	
Atlantis	D25-60		Light Beige	1531-60		Tumbled Mosaic	4893-60	
Bannister Oak	7806-60		Limber Maple	10734-60		Tungsten EV	4814-60	
Beige	1530-60		Loden Zephyr	4844-60		Tuscan Walnut	7921-38	
Beige Nebula	4624-60		Lodestone	4680-60		Twilight Zephyr	4845-60	
Beige Pampas	4170-60		Manitoba Maple	7911-60		Wallaby	D439-60	
Beigewood	7850-60		Maroochy Brush	4745-60		Western Bronze	4873-60	
Black	1595-60	X	Mercury Glass	4902-38		Western Hills	4874-60	
Blue Agave	4919-60		Mission Adobe	4849-38		Western Iron	4875-60	
Brazilwood	7946-38		Mission Glaze	4854-38		Western Storm	4872-60	
Britany Blue	D321-60		Mission Sage	4848-38		Western Suede	4871-60	
Bronze Legacy	4656-60		Mission Sand	4851-38		Western Tan	4870-60	
Burnished Chestnut	4796-60		Mission Shadow	4852-38		Western White	4869-60	
Burnished Ember	4798-60		Mission Smoke	4847-38		White	1570-60	
Café Cream	D456-60		Mission Stone	4853-38		White Nebula	4621-60	
Cafelle VC	7933-07	X	Mission Stucco	4850-38		White Sand	D403-60	
Caldera Beige	4608-60		Misted Zephyr	4843-60		White Tea	4908-60	
Canyon Zephyr	4642-60		Monticello Maple	7925-38		White Tigris	4783-60	
Carbon EV	4820-60		Morro Zephyr	4846-60		Wild Cherry	7054-60	
Carbon Mesh	4880-38		Natural Almond	D30-60		Windswept	4793-60	
Castle Oak	7928-38		Natural Nebula	4633-60		Windswept Bronze	4794-60	
Chai Tea	4910-60		Natural Pear	7061-60		Windswept Pewter	4795-60	
Chardonnay	7955-38		Natural Rift	7954-38		Woolamai Brush	4746-60	
Cloud	D391-60		Natural Tigris	4669-60				
Cloud Nebula	4630-60		Navy Legacy	4651-60				
Cloud Zephyr	4856-60		Neutral Grace	4143-60				
Collectors Cherry AU	10826-07	X	New Age Oak	7938-38				
Copper Mesh	4881-38		Nickel EV	4813-60				
Crisp Zephyr	4858-60		North Sea	D90-60				
Curry Tigris	4672-60		Ochre Roletta	4738-60				
Desert Zephyr	4841-60		Oiled Soapstone	4882-38				
Designer White	D354-60		Olive Legacy	4654-60				
Dove Grey	D92-60		Oxide	1787-60				
Eggplant	4913-60		Pampas	4166-60				
Evening Tigris	4674-60		Pearl Soapstone	4886-38				
Fashion Grey	D381-60		Pepperdust	D327-60				
Featherstone	D72-60		Pewter Brush	4779-60				
Flame Soapstone	4884-38		Pewter Mesh	4878-38				
Fonthill Pear	10745-60		Platinum	D315-60	X			
Frosty White	1573-60	X	Pomegranate	4914-60				
Fusion Maple	7909-60		Port	D14-60				
Gilded Mesh	4912-38		Putty	1503-60				
Ginseng Tea	4909-60		Radium EV	4812-60				
Golden Oak	7888-60		River Cherry	7937-38				
Graphite Nebula	4623-60		Rustic Slate	4888-38				
Green Legacy	4657-60		Sable Soapstone	4883-38				
Green Soapstone	4885-38		Saffron Tigris	4673-60				
Green Tigris	4667-60		Sand	D331-60				
Grey	1500-60		Sanibel Maple	7908-60				
Grey Glace	4142-60		Shadow	D96-60	X			
Grey Nebula	4622-60		Shadow Zephyr	4857-60				
Grey Pampas	4168-60		Sheer Mesh	4876-38				
Harvest Maple	7953-38		Silicon EV	4811-60				
Haze	D97-60		Slate Grey	D91-60	X			
Hollyberry	D307-60		Soft Gold Mesh	4911-38				
Hunter Green	D79-60		Solar Oak	7818-60				
Huntington Maple	7929-38		Spiced Zephyr	4859-60				
Indigo	D379-60		Sprout	4918-60				

① Model Number (shown at right)

② Base/Modesty

- B Black
- S Silver

③ Top Material/Edge - Choose from (A) Laminate options or (B) Powdercoat options

A) Laminate Specify standard Wilsonart Laminate choices - reference page 9

1) LS - Standard PVC Eased Edge - See right page for pricing

- AU Autumn
- NC Natural Cherry
- NM Natural Maple
- PL Platinum
- SH Shadow
- SL Slate
- VC Vintage
- WH White

2) LP - Premium Metallic Eased Edge - See right page for pricing

- AL Aluminum
- TI Titanium

B) Powdercoat - PD - See right page for pricing

Reverse Knife Edge (user side)/Eased (approach side)

Note: Edge color will be same as top.

- BD Blackdrop
- GV Greek Villa

④ Linking Kit Option

- L Linking Kit

Add to list price:  
**\$40**

⑤ Electrical Package Option\*

\*Grommet color options: (B) Black and (S) Silver

**Rectangle 42"/48", AV, Trapezoid, Half Round** **\$365**

- EP1C
- EP2C-1 (circuit 1)
- EP2C-2 (circuit 2)

**Rectangle 60"/72"** **\$547**

- EP1D
- EP2D-1 (circuit 1)
- EP2D-2 (circuit 2)

⑥ Power Infeed Cables

- AP72 72" power infeed cable - 3 prong cable **\$164**
- HP72 72" hardwire power infeed **\$131**  
Cable is hardwired to the wall
- MP72 72" modular power infeed **\$121**  
Quick disconnect outlet needed
- QD1 Quick disconnect wall outlet **\$58**

Optional Electrical Accessories (item ordered separately; see page 13 for details)

- DJ-45 Data Jack
- EJK-12 12" jumper cable

*Example 1*


CZ2442CTT / S / LS / 10826-07 / WH / L / EP1C

Model Number:	CZ2442CTT
Base/Modesty/Optional Electrical Grommet	S
Top Material/Edge	LS
Laminate Color (Specify Wilsonart and Edge colors)	10826-07 / WH
PRODUCT PRICE:	\$1245
Optional Linking Kit (leave blank if this option is not selected)	L Add \$40
Optional Electrical Package (leave blank if this option is not selected)	EP1C Add \$365
<b>TOTAL PRICE</b>	<b>\$1650</b>


*Example 2*

CZ2460CTT / B / PD / GV / L / EP2C-2B

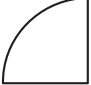
Model Number:	CZ2460CTT
Base/Modesty/Optional Electrical Grommet	S
Top Material/Edge	PD
Powdercoat Color	GV
PRODUCT PRICE:	\$1478
Optional Linking Kit (leave blank if this option is not selected)	L Add \$40
Optional Power Kit (leave blank if this option is not selected)	EP2D-2B Add \$547
<b>TOTAL PRICE:</b>	<b>\$2065</b>


Description	Model	W	L	CTN WT	CU FT	Laminate With Standard Edge (LS)	Laminate With Premium Edge (LP)	Powder Coat (PD)
Rectangular Top 	CZ2442CTT	24	42	71	11	\$1,245	\$1,263	\$1,335
	CZ2448CTT	24	48	78	12	\$1,289	\$1,309	\$1,379
	CZ2460CTT	24	60	90	14	\$1,336	\$1,359	\$1,478
	CZ2472CTT	24	72	106	16	\$1,379	\$1,405	\$1,576
	CZ3042CTT	30	42	78	12	\$1,291	\$1,311	\$1,376
	CZ3048CTT	30	48	85	13	\$1,339	\$1,362	\$1,480
	CZ3060CTT	30	60	97	15	\$1,411	\$1,439	\$1,545
	CZ3072CTT	30	72	116	18	\$1,462	\$1,493	\$1,644


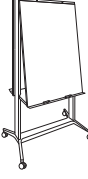


AV Top 	CZ2448CAT	24	48	79	15	\$1,492	\$1,527	\$1,385
	CZ3060CAT	30	60	97	18	\$1,648	\$1,693	\$1,607

		W	L	CTN WT	CU FT	LS	LP	PD
Trapezoid Top 	CZ2448CZT	24	48	78	12	\$1,322	\$1,348	\$1,336
	CZ2472CZT	24	72	106	16	\$1,459	\$1,492	\$1,546
	CZ3060CZT	30	60	97	15	\$1,389	\$1,419	\$1,363


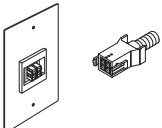



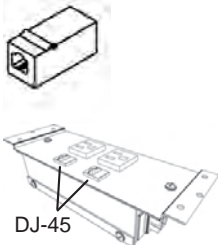
Half Round Top 	CZ2448CHT	24	48	79	15	\$1,251	\$1,272	\$1,304
	CZ3060CHT	30	60	97	18	\$1,420	\$1,450	\$1,505

		W	L	CTN WT	CU FT	LS	LP	PD
Quarter Round Linking Top 	CZ24QT	24	24	21	2	\$236	\$253	\$257
	CZ30QT	30	30	30	3	\$286	\$307	\$320

Wedge Linking Top 	CZ24-30WT	30 degree	24	11	1	\$236	\$253	\$304
	CZ24-45WT	45 degree	24	16	1	\$240	\$257	\$304
	CZ24-60WT	60 degree	24	20	2	\$242	\$259	\$304
	CZ24-90WT	90 degree	24	28	2	\$262	\$281	\$304
	CZ30-30WT	30 degree	30	16	1	\$238	\$255	\$335
	CZ30-45WT	45 degree	30	24	2	\$262	\$281	\$335
	CZ30-60WT	60 degree	30	30	2	\$274	\$294	\$335
	CZ30-90WT	90 degree	30	42	3	\$316	\$339	\$335

Description	① Model	W	D	H	CTN WT	CU FT	Powder Coat (PD)
 <b>Flatscreen Cart</b>	<b>CZ2932FSTV</b> <ul style="list-style-type: none"> <li>· for flat screen sizes from 32" to 60" diagonal screen</li> <li>· TV not included</li> <li>· frame color: Black (B) or Silver (S)</li> <li>· shelf color: Black (B) or White (W)</li> </ul>	29	32	70	96	42	\$1,570
 <b>Visual Board Cart</b>	<b>CZ2241VB</b> <ul style="list-style-type: none"> <li>· frame color: Black (B) or Silver (S)</li> </ul>	22	41	74	161	42	\$1,749
 <b>Utility Cart</b>	<b>CZ2227UC</b> <ul style="list-style-type: none"> <li>· frame color: Black (B) or Silver (S)</li> <li>· shelf color: Black (B) or White (W)</li> </ul>	22	27	41	50	15	\$942
 <b>Lectern Cart</b>	<b>CZ1628LEC</b> <ul style="list-style-type: none"> <li>· frame color: Black (B) or Silver (S)</li> <li>· shelf color: Black (B) or White (W)</li> </ul>	16	28	42	66	17	\$1,217

Electrical Accessories:

Description	Model	CTN WT	CU FT	Powder Coat (PD)
<b>Corner Electrical Jumper Cable</b> 	<b>EJK-12</b> · 12" corner jumper cable · use for wedges, 90 degree corners and half round tables			\$81
<b>Hardwire Power Source</b> 	<b>QD1</b> · single or two circuit quick disconnect wall outlet box			\$58
<b>Electrical Power Infeed</b> 	<b>AP72</b> · 72" plug power infeed · 15 amp single circuit · 3 prong plug			\$164
<b>Electrical Power Infeed</b> 	<b>HP72</b> · 72" hardwire power infeed · 20 amps · 120 volts maximum · 2 circuit			\$131
<b>Electrical Power Infeed</b> 	<b>MP72</b> · 72" modular power infeed · 20 amps · 120 volts maximum · single or 2 circuit			\$121
<b>Data Jack</b>  <p>DJ-45</p>	<b>DJ-45</b> · CAT6-RJ45 · 2 data jack cutouts per power box · electrician responsible for connection · single unit price	1	1	\$56

CRUZ